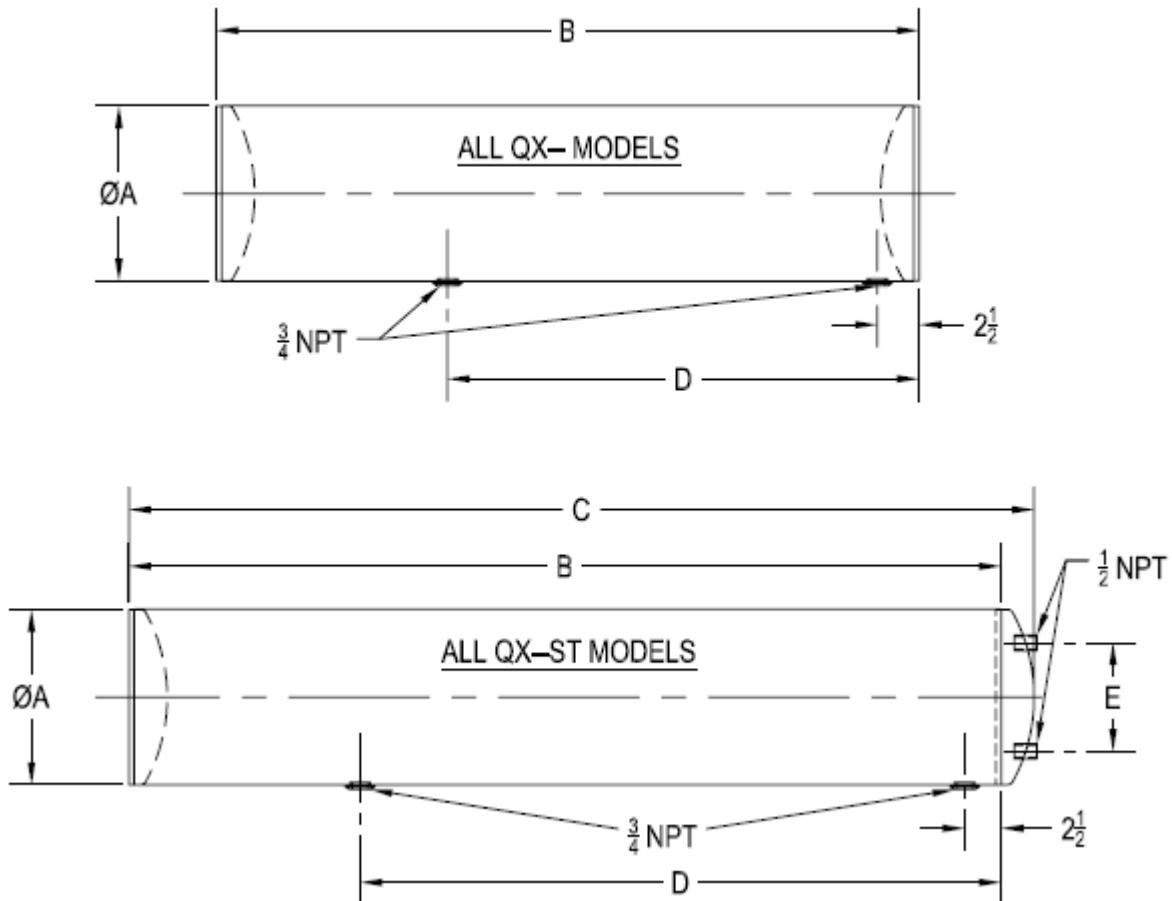


P.O.Box 338, Kendallville, IN 46755
800-348-2514 Fax 800-348-1514

NON-CODE PAINTED EXPANSION TANKS 75 PSIG WORKING PRESSURE



| MODEL | GALLONS | - NOMINAL DIMENSIONS (INCHES) - | | | | | GAUGE | | WEIGHT |
|--------|---------|---------------------------------|----|--------|----|---------|-------|------|--------|
| | | A | B | C | D | E | SHELL | HEAD | |
| QX8 | 8 | 12 | 16 | - | 8 | - | 16 | 12 | 21 |
| QX15 | 15 | 12 | 30 | - | 15 | - | 16 | 12 | 33 |
| QX18 | 18 | 12 | 37 | - | 20 | - | 16 | 12 | 39 |
| QX24 | 24 | 12 | 48 | - | 32 | - | 16 | 12 | 42 |
| QX30 | 30 | 12 | 60 | - | 44 | - | 16 | 12 | 53 |
| QX30ST | 30 | 12 | 60 | 62 | 44 | 7-7/16 | 16 | 12 | 53 |
| QX40 | 40 | 14 | 60 | - | 44 | - | 16 | 13 | 65 |
| QX40ST | 40 | 14 | 60 | 62-1/4 | 44 | 11-7/16 | 16 | 13 | 65 |
| QX66ST | 66 | 18 | 60 | 62-1/2 | 44 | 13-7/16 | 14 | 10 | 101 |
| QX82ST | 82 | 20 | 60 | 63 | 44 | 15-7/16 | 14 | 11 | 111 |
| Q120ST | 120 | 24 | 60 | 64-1/2 | 44 | 19-7/16 | 14 | 11 | 142 |