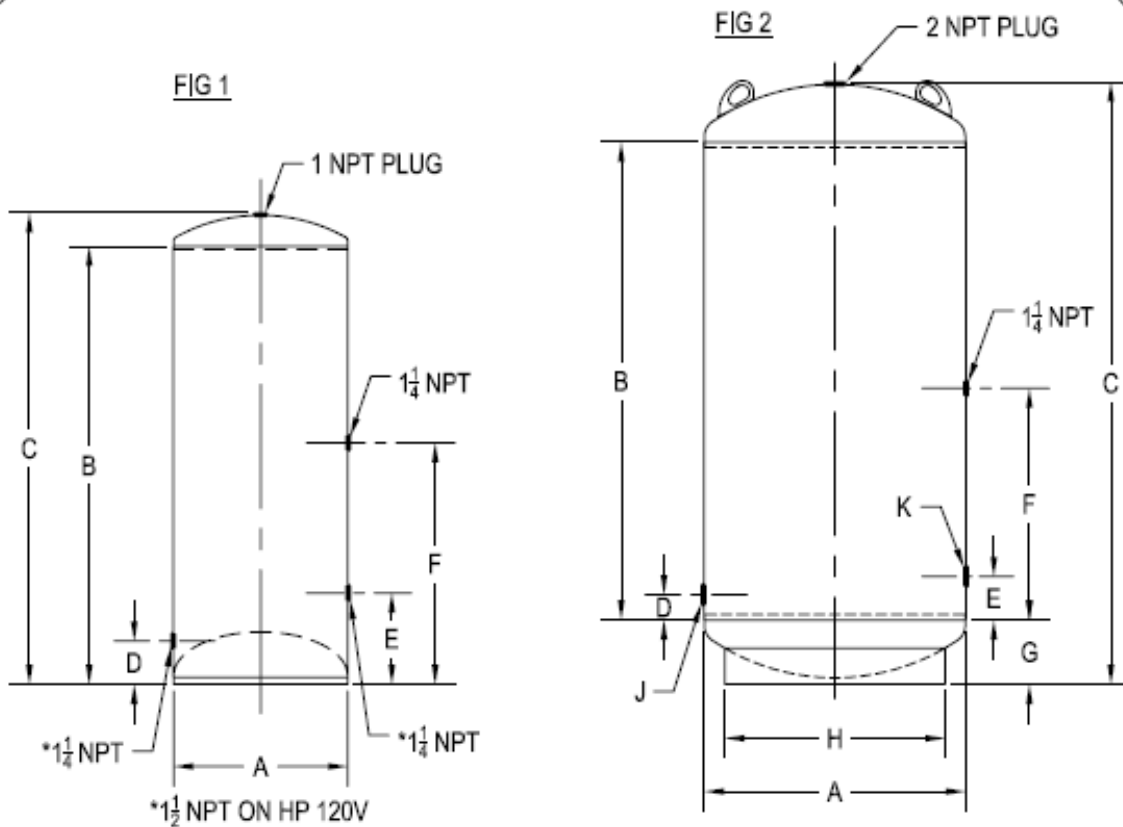


QUICK TANKS, Inc.

P.O.Box 338, Kendallville, IN 46755
800-348-2514 Fax 800-348-1514

NON-CODE QC61® GALVANIZED VERTICAL TANKS
HIGH PRESSURE – 150-PSIG WORKING PRESSURE
NSF/ANSI® STANDARD 61 CERTIFIED LINING
GALVANIZED VESSEL CERTIFIED TO NSF/ANSI STANDARDS 61-ANNEX G and 372



NOTE: ANODE BAR IS REQUIRED IF USED FOR HOT WATER SERVICE.
NSF/ANSI/FDA CERTIFICATION IS FOR COLD WATER USE ONLY.

| MODEL | WEIGHT | FIG# | - NOMINAL DIMENSIONS (INCHES) - | | | | | | | | - NPT - | |
|----------|--------|------|---------------------------------|----|--------|-------|----|----|-------|--------|---------|---|
| | | | A | B | C | D | E | F | G | H | J | K |
| HP12V | 40 | 1 | 12 | 24 | 26-7/8 | 3 | 5 | 13 | - | - | - | - |
| HP21V | 86 | 1 | 16 | 24 | 27 | 5 | 5 | 13 | - | - | - | - |
| HP30V | 97 | 1 | 16 | 36 | 39 | 5 | 8 | 17 | - | - | - | - |
| HP42V | 121 | 1 | 16 | 48 | 51 | 5 | 12 | 26 | - | - | - | - |
| HP42VSQ | 126 | 1 | 20 | 30 | 34 | 5 | 8 | 17 | - | - | - | - |
| HP82V | 211 | 1 | 20 | 60 | 63 | 5 | 12 | 33 | - | - | - | - |
| HP120V | 339 | 1 | 24 | 60 | 64-1/2 | 5 | 12 | 33 | - | - | - | - |
| HP220V | 618 | 2 | 30 | 66 | 78 | 2-1/2 | 6 | 32 | 6 | 24-1/4 | 2 | 2 |
| HP315V | 767 | 2 | 36 | 66 | 79-1/2 | 2-1/2 | 6 | 32 | 7 | 30-1/2 | 2 | 2 |
| HP480VSQ | 1222 | 2 | 42 | 72 | 87 | 3-1/2 | 6 | 32 | 7-1/2 | 36 | 2 | 3 |