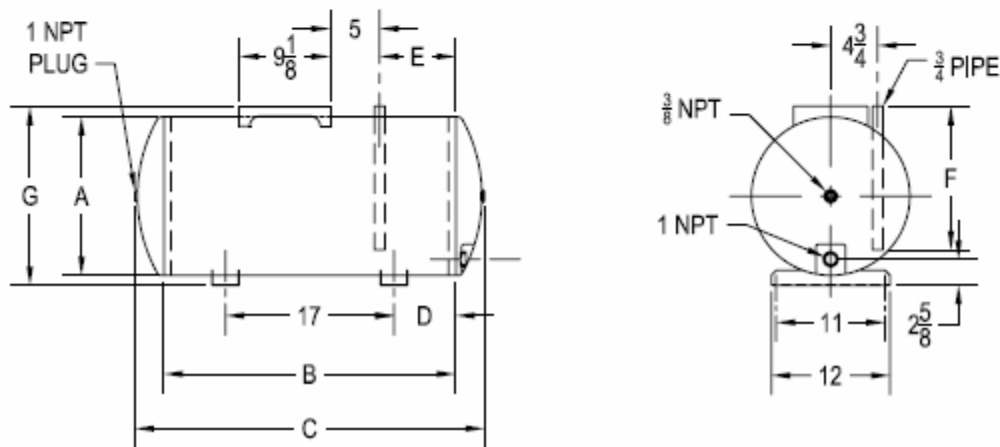
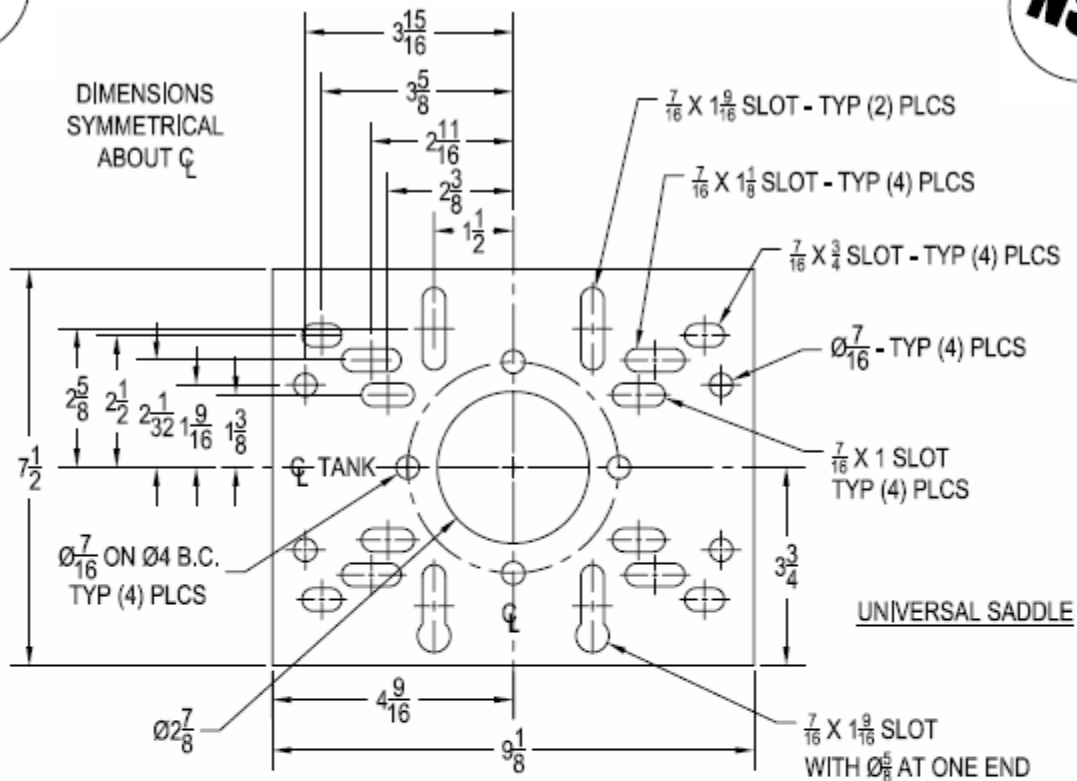


QUICK TANKS, Inc.

P.O.Box 338, Kendallville, IN 46755
800-348-2514 Fax 800-348-1514

GALVANIZED UNIVERSAL SADDLE TANKS ANSI/NSF® STANDARD 61 LISTED LINING 75 PSIG WORKING PRESSURE



MODEL	WEIGHT	- NOMINAL DIMENSION (INCHES) -							- GAUGE -	
		A	B	C	D	E	F	G	SHELL	HEAD
Q30SU	56	16	29-1/2	34-1/2	6-1/4	7-5/8	14	17-1/2	16	12